

DRAWING NUMBER ISSUE
504S-114a

STOCK REF



TITLE
504 MAIN CIRCUIT
 SHEET 1 OF 2

FILENAME 504\504S114a.DWG

DRAWN
 DATE 11/01/97

CHECKED

MATERIAL:

FINISH:

DETAILS

ISSUE COMMENTS

Mods. Misc value and component number changes. R196 now fed from neg. side of C128 prevents dc on led meter.

ISSUE 3. SEE DDN1459 (PSB)
 R122 WAS 3K3

ISS4 PHASE 1: CORRECTIONS

ISS4A ECN6126-C127 WAS 47n,C126,C128,C129,C132 & C135 WERE 22/40,22/40,100/10,15/40 & 15/40 RESPECTIVLY.

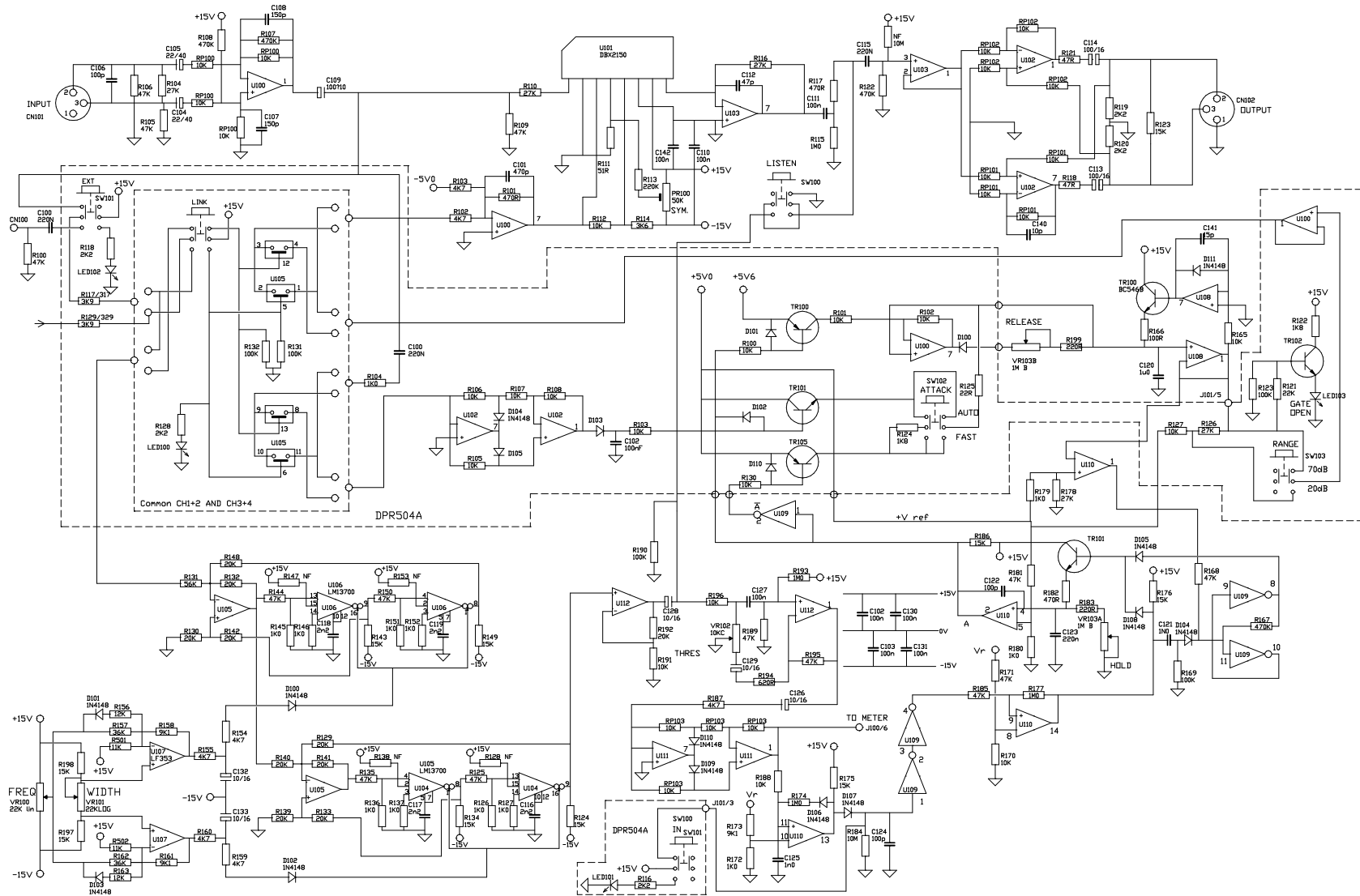
ALL DIMENSIONS ARE IN mm.
 DIMENSION TOLERANCE
 DIMENSION TO 2 DECIMAL PLACES IS ±0.1mm
 DIMENSION TO 1 DECIMAL PLACE IS ±0.25mm

THIRD ANGLE



THIS DRAWING IS THE COPYRIGHT OF BSS Audio Ltd. ALL REPRODUCTION AND COPYING, OTHER THAN THAT FOR LICENSED MANUFACTURERS OWN INTERNAL USE, OR DISCLOSURE OF PART OR WHOLE TO A THIRD PARTY WITHOUT PRIOR WRITTEN AUTHORISATION IS IN VIOLATION OF THE COPYRIGHT. © BSS Audio Ltd. 1995

DO NOT SCALE



DRAWING NUMBER ISSUE
504S-124a

STOCK REF



LINKSIDE HOUSE
SUMMIT ROAD
CRANBOURNE IND EST
POTTERS BAR
HERTS EN6 3JB
ENGLAND
Phone 01707 660667
Fax 01707 660755

TITLE
504 MAIN CIRCUIT
SHEET 2 OF 2

FILENAME 504\504S124a.DWG

DRAWN

DATE 11/01/97

CHECKED

MATERIAL:

FINISH:

DETAILS

ISSUE COMMENTS

Mods corrected schematic errors
5.9.94 SEE SHEET 1 of 2
ISS4a. ECN6126 - SEE SHT.1

ALL DIMENSIONS ARE IN mm.
DIMENSION TOLERANCE
DIMENSION TO 2 DECIMAL PLACES IS ±0.1mm
DIMENSION TO 1 DECIMAL PLACE IS ±0.25mm



THIS DRAWING IS THE COPYRIGHT OF BSS Audio Ltd. ALL REPRODUCTION AND COPYING, OTHER THAN THAT FOR LICENCED MANUFACTURERS OWN INTERNAL USE, OR DISCLOSURE OF PART OR WHOLE TO A THIRD PARTY WITHOUT PRIOR WRITTEN AUTHORISATION IS IN VIOLATION OF THE COPYRIGHT.
© BSS Audio Ltd. 1995

DO NOT SCALE

